

# PRIMEX

## Product Specifications

# P750FSC-OHG1SA

1 Fiber Splice & Connect OSP Enclosure

### 1. SUMMARY

The Primex Wave P750FSC-OHG1SA is a mid-size one fiber splice and connect enclosure ideal for FTTH SFU applications with room for an additional drop fiber.

The simplex SC/APC adapter and integrated Fiber Transition Outlet (FTO) allow for the secure connection and management of single fiber applications.

### 2. DIMENSIONS

Inside: H 8.9"/W 5.9"/D 3.1"  
Outside: H 12.2"/W 8.6"/D 3.9"

### 3. FEATURES & BENEFITS

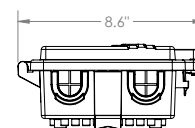
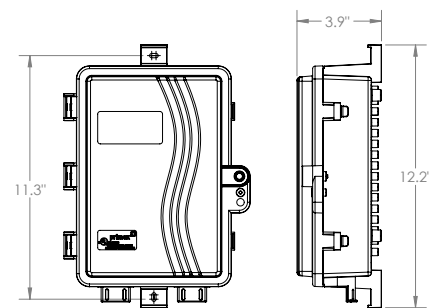
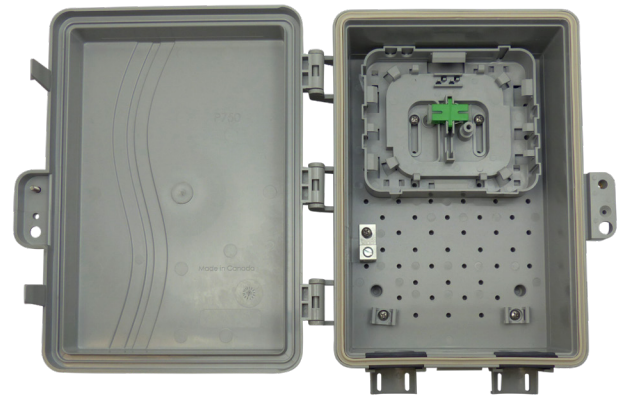
- Mid-size enclosure with secure single fiber splice and storage in a Fiber Transition Outlet (FTO) for FTTx applications where additional fiber can be added.
- Integrated fiber management via SC/APC adapter and splice holder within a Fiber Transition Outlet (FTO) for easy single fiber installation.
- Snap lock and hex bolt provide secure service provider access 24/7.
- High quality UV-protected PVC made in North America for long-lasting fiber protection in demanding weather conditions.
- Two robust one-inch ports with grommets for protected fiber entry and exit.
- External wall and pole mounting brackets allow for quick and easy deployment.
- UL-listed and industry-standardized for easy implementation.

### 4. APPLICATIONS

- FTTH for single family units
- FTTB for small businesses (MTU)

### 5. CONFIGURATIONS

Part #	Part Name	Description
125-1086	P750FSC-OHG1SA	Hex, gasket, SC/APC, FTO, 2x grommets, ground lug, 2x fiber cradle



#### FOR MORE INFORMATION CONTACT:

1.604.881.7875 1.604.881.7835

[www.primex.com](http://www.primex.com)



**primex**  Fit everything. Together.