

1. PRODUCT SUMMARY

The Primex angled wall plate for Cat5e, Cat6, Coax and Fiber jacks offer protected connectivity in an aesthetically-pleasing design.

Easy to install, the faceplate comes with two standard ports for interchangeable keystone. The angled ports allow fiber to be installed with minimum bend strain, ensuring signal integrity while maintaining a low-profile finish.

Pair with Primex keystone jacks for a complete wall plate solution.

2. PRODUCT DIMENSIONS

SIZE: Fits standard electrical boxes

3. FEATURES & BENEFITS

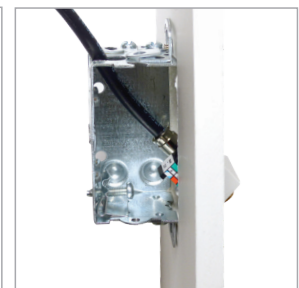
- 2 industry standard ports fit Cat5e, Cat6, Coax and fiber keystone for versatile, scalable connectivity.
- Angled port for protected fiber bend radius and clean aesthetic.
- Industry standard single-gang size provides consistent look throughout the home.
- Classic white for low-profile, clean finish.
- Includes two mounting screws for quick install.

4. CONFIGURATIONS

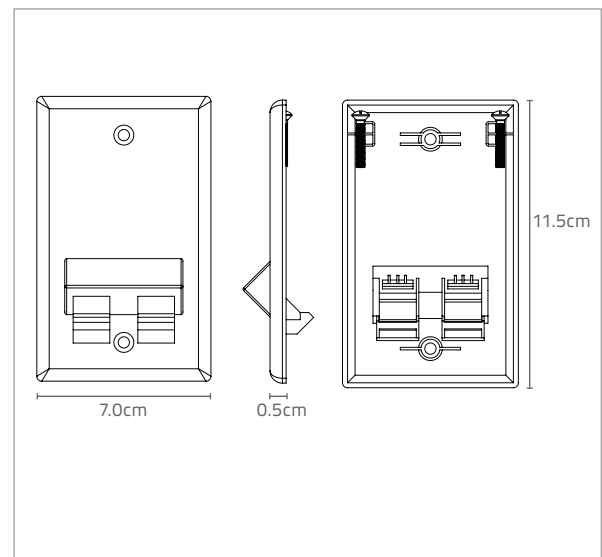
Part #	Description
125-0984-WT	Single-gang angled wall plate, 2-port



Keystones sold separately



Reduces cable bend strain



FOR MORE INFORMATION CONTACT:

📞 1.604.881.7875 📠 1.604.881.7835

www.primex.com