

PRIMEX

Product Specifications

P2000ENC-XHN

NEMA4X Blank Enclosure

1. SUMMARY

The Primex Wave P2000ENC-XHN is a large, NEMA4X-rated outside plant enclosure ideal for outdoor applications where a strong weather-resistant seal is required.

This enclosure features the industry-standard hole mounting pattern for complete customization with accessories.

2. DIMENSIONS

Inside: H 20"/W 14"/D 5.5"
Outside: H 22.7"/W 16.9"/D 5.9"

3. FEATURES & BENEFITS

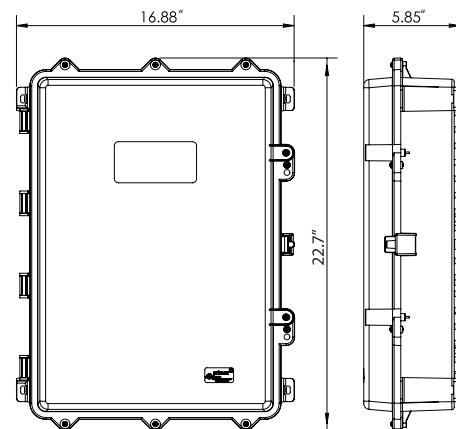
- Blank internal cavity allows for customized configuration of accessories and components.
- Snap lock and NEMA4X for sealed, weatherized applications.
- High quality UV-protected PVC made in North America for long-lasting fiber protection in demanding weather conditions.
- External wall and pole mounting brackets allow for quick and easy deployment.
- UL-listed and industry-standardized for easy implementation.

4. APPLICATIONS

- Network Support System
- Cellular Systems

5. CONFIGURATIONS

Part #	Part Name	Description
125-0623	P2000ENC-XHN	Blank, hex, NEMA4X, gasket, PVC



FOR MORE INFORMATION CONTACT:

📞 1.604.881.7875 📠 1.604.881.7835

www.primex.com



primex  Fit everything. Together.