

PRIMEX

Product Specifications

Verge PR1500N

Low-Profile, Hinged Lid MDE

1. SUMMARY

The Primex Verge PR1500N (narrow) Wifi transparent Media Distribution Enclosure brings fiber inside and forms the center piece of the connected home.

The low-profile Narrow model lowers the lid depth by 1" (from the standard lid) and utilizes a hinge for a simple, clean installation. The lid also features a keystone adapter slot for optional front-facing connectivity.

The compact design provides a lockable, centralized location for the distribution of smart home services.

2. PRODUCT DIMENSIONS

Inside: H 15.4" / W 13.9" / D 3.9"
 Outside: H 17.5" / W 16" / D 4.6"

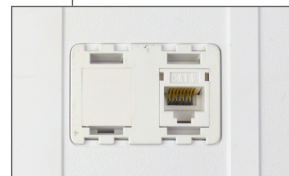
3. FEATURES & BENEFITS

- Wifi transparent, engineered plastic delivers up to 15x more wireless pass-through than metal alternatives.
- Hinged lid is 1" lower than standard lid and affixed with four screws for a low-profile finish and clean installation.
- Standardized mounting hole pattern supports Primex Rail, Shelf, and Universal Mounting Systems for components.
- Multiple entry/exit knockouts on top and bottom support microduct and robust cable runs.
- Knockout for swappable keystone adapter allows front cable connection.
- Lightweight design allows for easy transport and installation.
- Optional key or hex locks available for enhanced security.
- UL-compliant and fire-retardancy tested for heightened safety and durability.

*Enclosure should not be mounted in a fire-rated wall.

4. CONFIGURATIONS

Part #	Part Name	Description
125-1829	PR1500KN	15" Enclosure Base & Narrow Hinged Lid
125-1814	PR1500NLF-B4	15" Narrow Hinged Lid (4/box)
125-1809	PR1500BASE-B4	15" Enclosure Base (4/box)
125-1152	RKA	Retrofit Keystone Adapter (10/bag)
125-1841	KLK1500	PR1500N MDE Key Lock (1pc)
125-1774	HLK1500	PR1500N MDE Hex Lock (1pc)



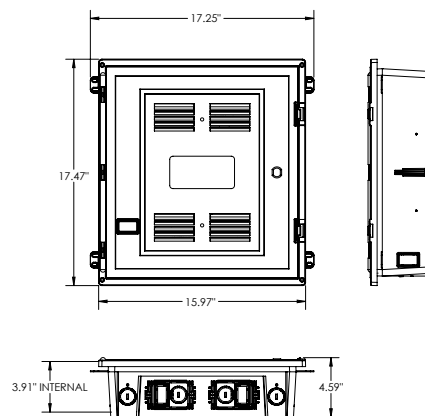
Optional keystone adapter (RKA)



Optional Hex and Key Locks



Narrow lid lowers profile 1"



FOR MORE INFORMATION CONTACT:

1.604.881.7875 1.604.881.7835

www.primex.com

