

PRIMEX

Product Specifications

Retrofit Mounting Bracket

Single-Gang Faceplate Mount

1. SUMMARY

The Primex Retrofit Mounting Bracket provides quick and easy mounting for Cat3/5/6+ and coax wiring. It's designed to mount faceplates flush against the wall offering a low-profile finish.

Levered arms adjust to different wall depths and allow for simple, quick installation.

2. DIMENSIONS

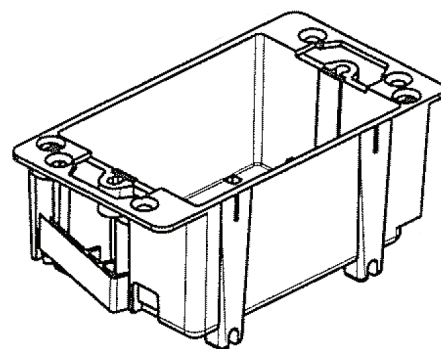
SIZE: 4.12"L x 2.25"W x 1.75"H

3. FEATURES & BENEFITS

- Adjustable arms to fit wall board, paneling, or drywall.
- Mounts horizontally or vertically.
- Bracket acts as template for cutout.
- Thin lip and recessed screw holes ensure low-profile, flush install.
- Tension mount installation levers flip into place during installation to provide a quick and secure mount.

4. CONFIGURATIONS

Part #	Part Name	Description
135-0309	147-2	Flush Mount Open Back Retrofit Box



FOR MORE INFORMATION CONTACT:

1.604.881.7875 1.604.881.7835

www.primex.com     

primex  Fit everything. Together.