

PRIMEX Product Specifications

SpeedStar™ Faceplates Downward Facing

1. SUMMARY

The Primex SpeedStar™ Downward Facing Faceplates employ jacks mounted at a 90° downward angle which allows cables to be run down, and out, at a much lower risk of damage.

The smooth, shatter-resistant faceplate protects the installation from collateral damage. Available in various configurations, these faceplates fit a variety of applications and can accommodate a wide array of connectors.

2. PRODUCT DIMENSIONS

SIZE: 5.04"H x 3.13"W x 1"D

3. FEATURES & BENEFITS

- Attractive low profile
- Protects connectors from damage by objects forced against the plate
- Modular inserts for faster installations
- Accommodates: F81 barrel connectors, SpeedStar™ connectors and CablePass™ feed-through
- Easy to install for new construction or replacement of existing plates

4. CONFIGURATIONS

Part #	Part Name	Description
135-0192	2-6500-52	Downward faceplate w/ all 4 styles of inserts, ivory
135-0217	2-6500-85	Downward faceplate w/ all 4 styles of inserts, white
132-0306	2-6501-85	Downward faceplate w/ 2-port F81 barrel connector insert, white
135-0251	2-6502-52	Downward faceplate w/ 2-port SpeedStar™ connector insert, ivory
135-0190	2-6502-85	Downward faceplate w/ 2-port SpeedStar™ connector insert, white
135-0256	2-6503-52	Downward faceplate w/ CablePass™ feed-through insert, ivory
135-0223	2-6503-85	Downward faceplate w/ CablePass™ feed-through insert, white
135-0233	2-6504-52	Downward faceplate w/ combination F81 barrel and SpeedStar™ connector insert, ivory
135-0203	2-6504-85	Downward faceplate w/ combination F81 barrel and SpeedStar™ connector insert, white

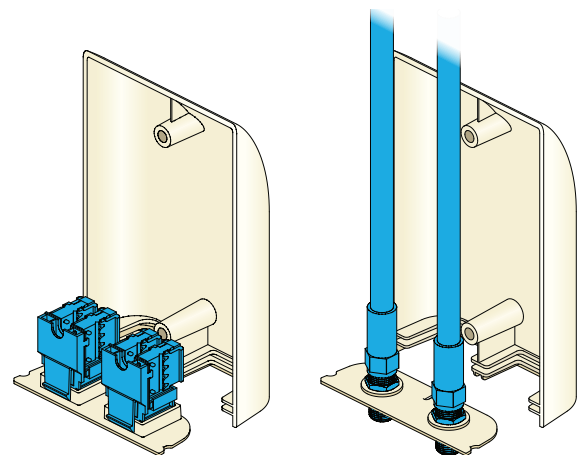


White

Ivory



Inserts



FOR MORE INFORMATION CONTACT:

1.604.881.7875 1.604.881.7835

www.primex.com

primex Fit everything. Together.