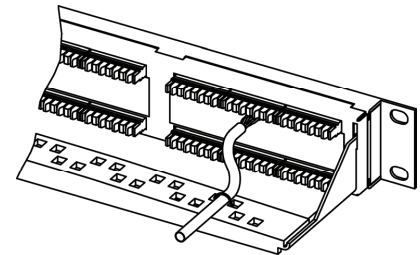
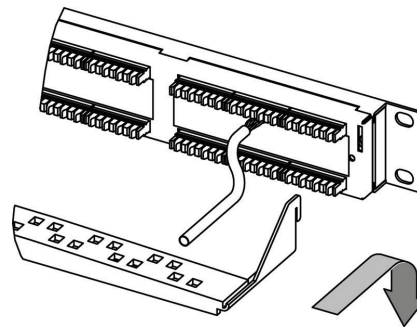
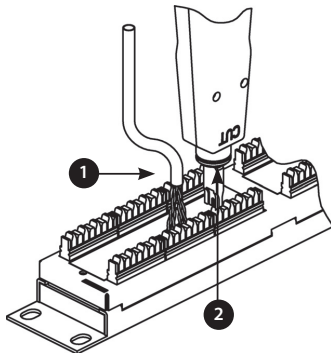


INSTRUCTIONS

1. Strip cable jacket approximately 1-1/2". Insert wires into IDC according to the desired wiring configuration (T568A/T568B). Do not untwist wire pairs more than 1/2" from termination point.
2. Terminate wires using an impact tool; make sure excess wires are trimmed off.

Attach wire management bracket to the back of the patch panel.

Secure cables to the wire management bracket with zip ties.



WIRING DIAGRAMS

