

PRIMEX

Product Specifications

Lock Kits

For SOHO Pro™ Media Panels

1. SUMMARY

Primex offers two types of secure locking systems for SOHO Pro™ P2100, P3000, P4200, P6300 and PR1500 Media Panels.

The Key Lock Kit provides secure, limited access via either single (P2100), double (P3000/P4200/PR1500), or triple (P6300) key locks.

The Hex Lock Kit limits access via either a single (P2100), double (P3000/P4200/PR1500), or triple (P6300) hex lock that requires a 5/8" can wrench for access.

Both styles of locks serve to limit end-user access effectively.

2. DIMENSIONS

Fit SOHO Pro™ Media Panels: P2100, P3000, P4200, P6300, PR1500

3. FEATURES & BENEFITS

- Two styles of locks available (Hex and Key) for different applications.
- Key lock provides secure, restricted access to enclosures.
- Hex lock restricts access while allowing standard hex tool to be used.
- PR1500 lock kits come with snap in lock comb for variable locking depth to accommodate different drywall and equipment sizes.
- Minimal tools required for ease of installation.
- Key locks come with 90° and 180° rotation stops

4. CONFIGURATIONS

Part #	Description
125-1073 KLK	Key Lock Kit SOHO Pro™ Media Panel (1pc) (P2100/P3000/P4200/P6300)
125-1678 HLK	Hex Lock Kit SOHO Pro™ Media Panel (1pc) (P2100/P3000/P4200/P6300)
125-1570 KLK15	Key Lock Kit SOHO Pro™ PR1500 Media Panel (2pc)
125-1641 HLK15	Hex Lock Kit SOHO Pro™ PR1500 Media Panel (2pc)

SOHO PRO™ P2100/P3000/P4200/P6300 MEDIA PANEL LOCK KITS

KEY LOCK KIT (Sold Individually)
2 required for P3000/P4200, 3 for P6300
125-1073



HEX LOCK KIT (Sold Individually)
2 required for P3000/P4200, 3 for P6300
125-1678

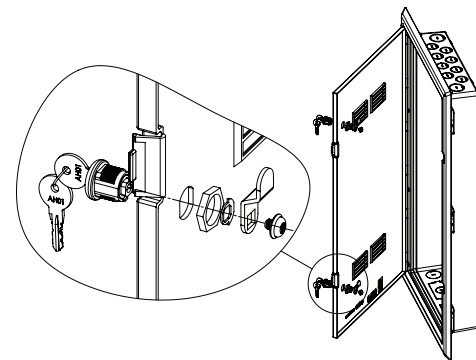


SOHO PRO™ PR1500 MEDIA PANEL LOCK KITS

KEY LOCK KIT (Sold as a set of two)
125-1570



HEX LOCK KIT (Sold as a set of two)
125-1641



FOR MORE INFORMATION CONTACT:

1.604.881.7875 1.604.881.7835

www.primex.com

primex Fit everything. Together.