

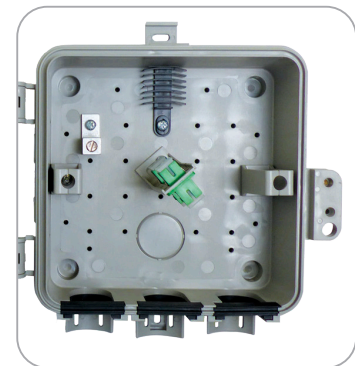
**Plastic NID Enclosure**

The P350 Series is a compact plastic enclosure designed for outdoor and indoor applications requiring a demarcation and slack storage of network cabling. The P350 enclosure are manufactured in the US and Canada.

The P350 series enclosures are designed to house and protect fiber optic, coax, twisted pair and network gear.

**Features & Benefits**

- UL1863 listed and designed to the requirements of GR 2898 CORE
- UV resistant composition with gasket seal cover to protect from moisture and dust ingress
- Rear inner wall pegboard layout with dual exterior mounting ears for securing enclosure to poles and walls
- Three lower ports with grommets and slotted protective sleeves for protecting and securing cables
- Ø1.25" knockout and four Ø0.5" corner holes on inner wall for additional options for routing cable and securing enclosure



125-1898 (Patch and splice)

**Dimensions**

Inside: H 6.2"/W 6.2"/D 2.4"

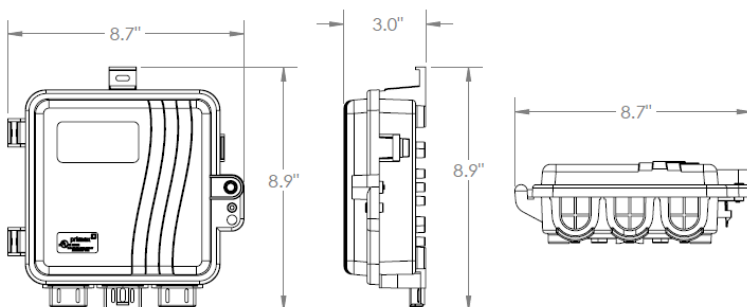
Outside: H 8.9"/W 8.7"/D 3"

**Ordering Information**

P/N	Model	Description
125-1898	P350FSC THG2SA	2 Fiber SC/APC Patch and Splice. Holds up to 6 splice sleeves. Capacity: 46' of 3.0mm cable or 23' of 4.8mm cable
125-1798	P350ENCXHG	Empty



P350 holding RG11 and splitter



PRIMEX® is registered trademark of Oldcastle Infrastructure.