

PRIMEX

Product Specifications

P350FSC-THG2SA

Two Fiber FTTH Enclosure

1. SUMMARY

The Primex Wave P350FSC-THG2SA is a compact, double-fiber outside plant enclosure ideal for single family FTTH applications.

This fiber splice and connect (FSC) FTTH solution includes a splice clip, cable management clips, two SC-APC adapters, and a ground block for effective, efficient cable management.

2. DIMENSIONS

Inside: H 6.2"/W 6.2"/D 2.4" / Outside: H 8.9"/W 8.7"/D 3"

3. FEATURES & BENEFITS

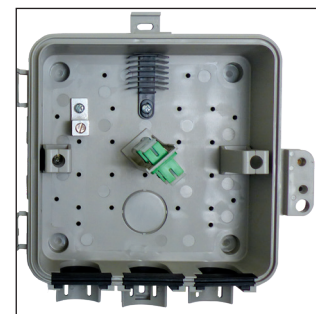
- Compact, versatile FTTH enclosure ideal for test and transition points for single family units.
- Available with cable management as a splice and connect enclosure (FSC) with two SC/APC adapters and a splice clip.
- Lid-mounted gasket, snap lock and hex bolt provide secure service provider access 24/7.
- Three robust half-inch ports with rubber grommets and lid gasket for protected fiber entry and exit
- UL-Listed High quality UV-protected PVC made in North America for long-lasting fiber protection.

4. APPLICATIONS

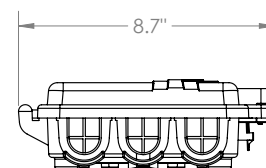
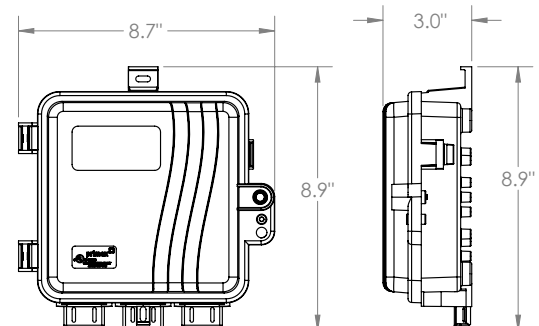
- FTTH for single and multi family units

5. CONFIGURATIONS

Part #	Part Name	Description
125-1898	P350FSC-THG2SA	P350, PVC, 2x SC/APC, fiber clip, grnd blk, w/hex bolt, gasket



125-1898 (Splice & Connect)



FOR MORE INFORMATION CONTACT:

1.604.881.7875 1.604.881.7835

www.primex.com

